

# #2118 Charming Cottage Shell Kit

by Houseworks Ltd.

Step-by-step assembly instructions

Copyright miniatures.com 2013, 2024

## PARTS LIST:

- Front wall
- Left side wall
- Right side wall
- Base
- Doorstep
- Notched wood beam supports (2)
- Rabbeted wood beams (6)
- Front roof panel
- Gable roof panels (2)
- Rear roof panel
- Ridge support beam
- Front eave trim
- Rear eave trim (2)
- Gable eave trim, sides (4)
- Gable eave trim, center (2)

## SUPPLIES NEEDED:

- Masking tape
- Sharp pencil
- Ruler
- White glue (such as #1249 Weldbond)
- Lightweight hammer
- Scrap of wood



## GENERAL INSTRUCTIONS

- Identify and inspect all parts using the Parts List.
- Read the directions completely before beginning the project.
- If possible, have a dedicated work area so that you are not unpacking, repacking, and moving the project from place to place.
- Choose a work surface that is level, clean, dry, and protected from glue spills.
- Do a dry fit, using masking tape to hold parts in place, to make sure everything fits together correctly before assembling permanently.

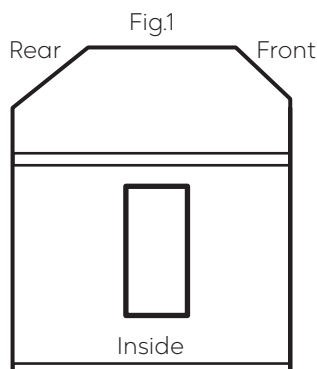
## Assembly Instructions

**Tip:** Plan the finishes for the interior and exterior at the dry-fit stage, before final/permanent assembly. It is easier to finish the panels as flat surfaces. Disassemble and finish as desired, then reassemble using glue.

**Optional:** Adding "feet," inset from the edge to raise the base, will make the finished structure easier to move. Use blocks of wood or similar, or Shepherd 7/8". Rubber Screw Bumpers which are available at some hardware and home improvement stores.

### MAIN STRUCTURE ASSEMBLY

1. Determine which is the right side wall and which is the left side wall. The vertical edge of the side walls is slightly longer where it meets the front wall than at the back opening. (See Fig. 1) Mark the panels.
2. Lay the front panel face down on the work surface. Install one of the notched wood beam supports in the



groove above the doorway, making sure it is centered and the notches are up. It will be a snug fit, and you may need to use a lightweight hammer to help seat it in the groove. Use a scrap of wood between the hammer and the support to avoid denting the wood beam support with the hammer.

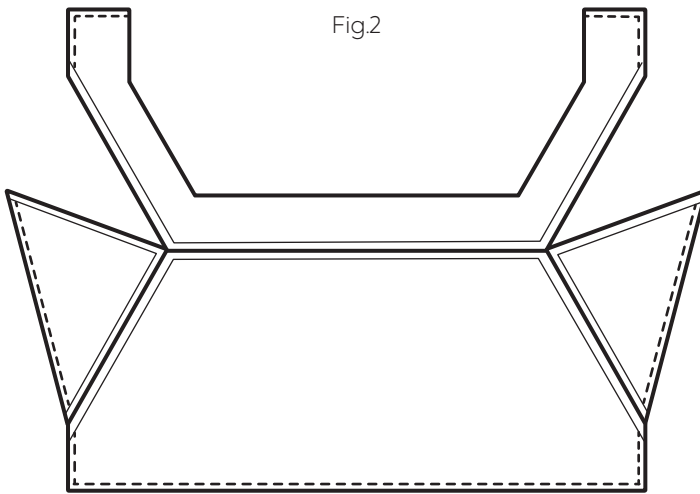
3. Install rabbeted wood beam supports in the side walls, as above, making sure the end openings are down.
4. Assemble the front and side walls on the base, using masking tape to hold the joints. The beam supports should fit together well, but may need to be adjusted a bit to do so.
5. Install the second notched wood beam support across the back opening of the cottage. Add the remaining rabbeted wood beams in the notches.

### ROOF ASSEMBLY

The roof is assembled by working from the inside, using masking tape across the joints from the outside.

1. Place the roof sections face down (beveled edges up). Note: Bevels join other bevels; straight cuts are at outside edges. Draw a line 1/4" in from all the outside edges. The eave trim will be glued at this line after the roof is assembled.

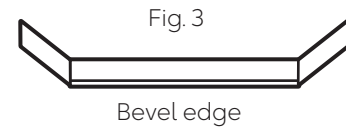
2. Arrange the roof pieces as shown in Fig. 2. Place masking tape strips across the ridge joint and front gable joints from the outside. Fold the joined pieces together and tape the final joints, tightening everything up as you go. Fit the ridge support beam in place. It is not necessary to attach it to the roof at the dry fit stage, but be sure it fits well.



The assembled roof should sit solidly on the main structure. Reinforcement with small scrap wood blocks glued to the inside or the use of hot glue at the inside joints in addition to white glue will add extra strength.

#### EAVE TRIM ASSEMBLY

1. The end/gable trim is in three pieces, which should be preassembled for easier installation. Arrange pieces as shown in Fig. 3. Glue the preassemblies together, using tape to reinforce and hold the joints tightly closed while the glue dries.



2. With the wider side up, mark the eave trim pieces with arrows indicating the thin edge. Point the arrows toward the ridge and hinge the front and back eave trim pieces to the main roof with masking tape along the line you drew earlier. The beveled edge will be in contact with the main roof. Position the short back pieces flush at the edges of the opening and center the long front piece.
3. Fit the end/gable assemblies between the front and back pieces with the beveled edge contacting the main roof. Hinge with tape as before, and adjust to fit. Tape the corners to secure.

Disassemble to decorate, then repeat the steps for final assembly using glue.

**Optional:** To permanently attach roof to cottage flip both upside down. Apply glue where the roof meets the walls.

Assembly of the Charming Cottage Shell Kit is now complete.

